



42mm Single Line Roller Shutter

(Residential/Light Commercial)



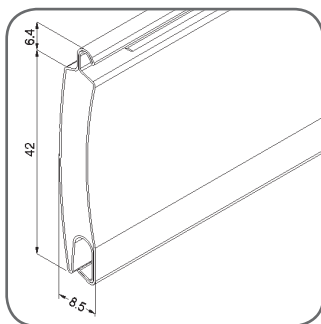
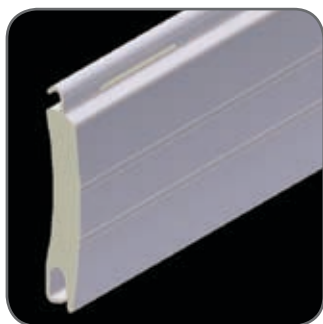
This roller shutter range is made with a precision roll formed roller shutter profile.

Suitable Applications

- Domestic Windows
- Domestic Doorways
- Light Commercial Shop Fronts & Windows
- Counter Tops/Serveries

Features

- High quality aluminium alloy construction.
- Foam filled profile for additional strength and silent operation.
- High quality painted finish.
- Smooth and curved face profile.
- Roll-tight design.
- Wide range of colours.
- Double coated + lacquer for abrasion resistant finish.
- Machine inserted profile end clips providing extra shutter strength.
- High quality internal sealed bearings.
- Suitable for widths up to 3200mm.
- Can be manually operated or motorised.
- Made in Australia.



Technical Specifications

Maximum Shutter Width	3200mm
Maximum Shutter Height	2600mm
Maximum Surface Area	7m ²
Number Of Slats/Metre	24
Profile Slat Covering	42mm
Profile Slat Thickness	8.5mm
Axle Types	Octagonal Aluminium or Steel
Bottom Bar Dimensions	55mm x 8.5mm
Guide Dimensions	53mm x 22mm
Paint Finish	Polyurethane/Polyamide (PU/PA)
Inner Profile Foam Type	Poly Urethane (CFC Free)

General Note: All dimensions and colours are indicative only and may change without notice. Profile technical specifications and shutter performance may vary in certain applications, eg. wide applications with no solid structure behind the roller shutter. For more information please contact your CW Products representative.





Made To Measure Roller Shutters

Pelmet Sizes & Maximum Shutter Height

Pelmet Box Size	Max. No. Of Slats	Max. Shutter Height	Axle Size
150mm	31	1300mm	60mm
165mm	41	1700mm	60mm
180mm	52	2200mm	60mm
205mm	67	2850mm	60mm
230mm	93	3900mm	60mm

Roller Shutter Colour Options

Profiles	Pelmets/Side Frames/Guides/Bottom Bars
Cream	Cream
Magnolia Cream	Clear Beige
Clear Beige	White
White	Brown
Grey	Black
Brown	Powder coated options available (additional charges apply)
Beige	
Green	
Red	
Bronze	
Black	
Charcoal	
Silver	
Deep Ocean	

Control Options

Manual Options



Strap Winder
(Up To 20Kg)



Cord Winder
(Up To 20Kg)



Steel Cable Winder
(Up To 50Kg)



Strap Coiler
(Up To 20Kg)



Cord Coiler
(Up To 20Kg)



Spring Loaded
With Key Lock

Motorised Options



Remote Control
With SolarSmart™
Automation
12V Motor



Wall Switch
With 240V
Electric Motor



Remote Control
With 240V
Electric SIMU Hz
Motor



Key Switch
With 240V
Electric Motor



Crank Handle
With 240V
Electric Manual
Override Motor

To place an order please complete the **CW Products Made To Measure Roller Shutter Order Form** available from your CW Products representative.