

# 55mm Widespan Roller Shutter

Widespan Residential & Light Commercial Applications



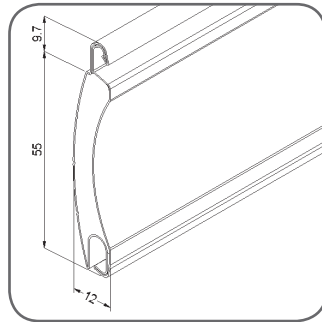
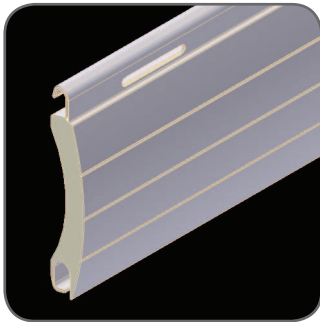
This roller shutter range is made with a precision roll formed roller shutter profile, and is suitable for many widespan applications.

## Suitable Applications

- Domestic Windows.
- Domestic Doorways.
- Garage Doors.
- Light Commercial Shop Fronts & Windows.
- Counter Tops/SerVICES.
- Entry Level Security for Factories, Warehouses, Clubs, Pubs & Hotels, Restaurants, Pharmacies & Sports Complexes.

## Features

- High quality aluminium alloy construction.
- Foam filled profile for additional strength, security and silent operation.
- High quality painted finish.
- Smooth and curved face profile.
- Roll-tight design.
- Range of colours.
- Double coated + lacquer for abrasion resistant finish.
- Heavy duty steel axle with high quality internal sealed bearings.
- Suitable for widespan widths up to 4500mm.
- Can be manually operated or motorised.
- Made in Australia.



## Technical Specifications

Maximum Shutter Width	4500mm
Maximum Shutter Height	3000mm
Maximum Surface Area	10m <sup>2</sup>
Curtain Weight/Metre <sup>2</sup>	4kg
Number Of Slats/Metre	18
Profile Slat Covering	55mm
Profile Slat Thickness	12mm
Axle Types	Octagonal Steel
Bottom Bar Dimensions	55mm x 8.5mm
Guide Dimensions	68mm x 25mm/18mm
Paint Finish	Polyurethane/Polyamide (PU/PA)
Inner Profile Foam Type	Poly Urethane (CFC Free)

\* Shutter Components Australia recommends the use of Photo Safety Cells when installing automated roller shutters over openings and doorways. Especially when the roller shutter is not in full view of the operator (eg. when using a remote control or wall switch positioned away from the roller shutter and out of view). When using a wall switch, we recommend a spring return switch/deadman switch.

General Note: All dimensions and colours are indicative only and may change without notice. Profile technical specifications and shutter performance may vary in certain applications, eg. wide applications with no solid structure behind the roller shutter. For more information please contact Shutter Components Australia.



## Pelmet Sizes & Maximum Shutter Height

Pelmet Box Size	Max. No. Of Slats	Max. Shutter Height	Axle Size
180mm	32	1850mm	60mm
205mm	42	2400mm	60mm
230mm	55	3100mm	70mm
230mm	49	2800mm	101mm with adaptor
250mm	65	3650mm	101mm with adaptor
250mm	56	3150mm	130mm with adaptor

## Roller Shutter Colour Options

Profiles	Pelmets/Side Frames/Guides/Bottom Bars
Cream	Cream
Clear Beige	Clear Beige
White	White
Brown	Brown
Silver	Black

Powder coated options available (additional charges apply)

## Wind Speeds & Maximum Shutter Width

Wind Speed	Max. Shutter Width	Max. Surface Area
11.2m/sec	4500mm	10.5m <sup>2</sup>
13m/sec	4000mm	10m <sup>2</sup>
15.8m/sec	3300mm	8.25m <sup>2</sup>
20.4m/sec	2900mm	7.25m <sup>2</sup>
25.9m/sec	2500mm	6.25m <sup>2</sup>
34.9m/sec	2400mm	6m <sup>2</sup>

## Control Options

Manual Options	Motorised Options
 <p>Steel Cable Winder (Up To 50Kg)</p>	 <p>Spring Loaded With Key Lock</p>
	 <p>Remote Control With SolarSmart™ Automation 12V Motor</p>

## Motorised Options (continued)

 <p>PowerSmart™ Control System With 12V Motor (Up To 50Kg)*</p>	 <p>Wall Switch With 240V Electric Motor</p>	 <p>Remote Control With 240V Electric SIMU Hz Motor</p>	 <p>Key Switch With 240V Electric Motor</p>	 <p>Crank Handle With 240V Electric Manual Override Motor</p>	 <p>S-05 Remote Control (Key Ring Transmitter) With 240V Electric Motor &amp; Multi-Function S-05 Radio Receiver &amp; Control Unit</p>
--	---	--	---	--	--

\* When used in conjunction with an assist spring as per CW Products specifications.

For more info on 55mm Widespan Roller Shutters, contact your nearest dealer or visit [www.shuttercomponentsaustralia.com.au](http://www.shuttercomponentsaustralia.com.au)

Authorised Dealer:

### Casey Screens and Shutters

caseyscreens.com.au  
Phone: 8790 1462

Illustrations, photos and colours shown in this brochure are for illustrative purposes only. All technical specifications and dimensions are correct at time of printing and may change without notice. Profile technical specifications and shutter performance may vary in certain applications, eg. wide applications with no solid structure behind the roller shutter. For more information please contact Shutter Components Australia. © 2015 CW Products.

Distributed In Victoria By  
**Shutter Components Australia**  
1/8 Waigani Avenue Ravenhall VIC 3023  
Tel: 03 9038 8904 Fax: 03 8390 0966  
Web: [www.shuttercomponentsaustralia.com.au](http://www.shuttercomponentsaustralia.com.au)



Manufactured By Distributed By