



36mm Extruded Roller Shutter

(High Security Commercial)



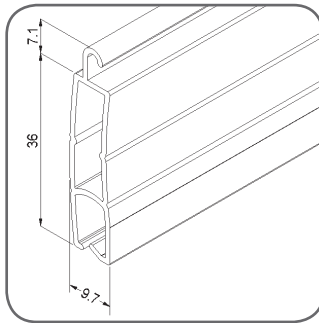
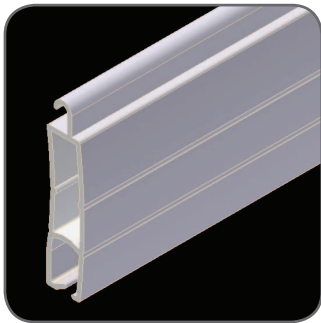
This roller shutter range is made with a precision extruded roller shutter profile, and is suitable for many commercial and industrial grade applications.

Suitable Applications

- Commercial Windows.
- Commercial Shop Fronts & Doorways.
- Garage Doors.
- High Security for Factories, Warehouses, Clubs, Pubs & Hotels, Restaurants, Pharmacies, Sports Complexes, Arcades, Shopping Mall Entrances, Mining & High Security Areas.

Features

- High quality, strong aluminium alloy construction.
- Commercial grade double wall extruded profile for heavy duty strength.
- High quality powder coated finish for maximum abrasion resistance.
- Double line grooved and slight curved face profile. (Note: smooth and slight curved face available.)
- Roll-tight design.
- Range of colours.
- Heavy duty steel axle with high quality internal sealed bearings.
- Suitable for widespan widths up to 5800mm.
- Can be manually operated or motorised.
- Made in Australia.

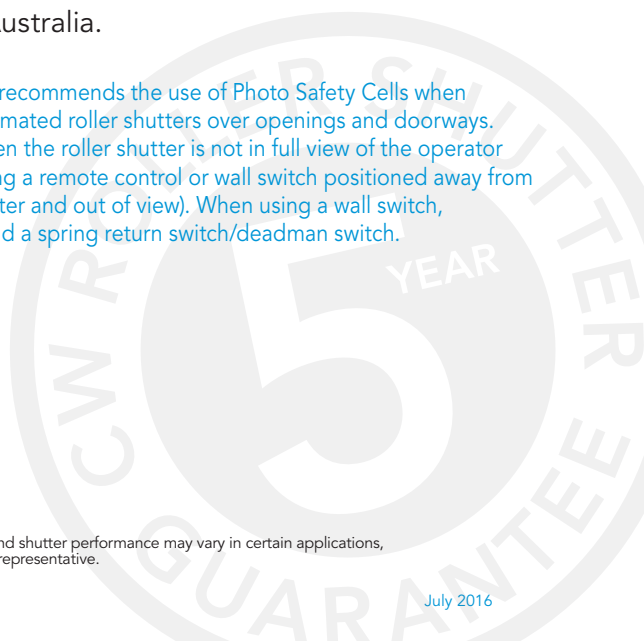


* 36mm Extruded Double Line Grooved Profile Also Available With Perforations. 36mm Extruded Smooth Face Profile Also Available.

Technical Specifications

| | |
|---|-------------------------------------|
| Maximum Shutter Width | 5800mm (with Winged Slat Locks) |
| Maximum Shutter Height | 3000mm |
| Maximum Surface Area | 12m ² |
| Curtain Weight/Metre² | 7.5kg |
| Number Of Slats/Metre | 28 |
| Profile Slat Covering | 36mm |
| Profile Slat Thickness | 9.7mm |
| Axle Types | Octagonal Steel |
| Bottom Bar Dimensions | 55mm x 8.5mm |
| Guide Dimensions | 68mm x 25mm/14mm (Heavy Duty Guide) |
| Paint Finish | High Quality Powder Coat Finish |

* CW Products recommends the use of Photo Safety Cells when installing automated roller shutters over openings and doorways. Especially when the roller shutter is not in full view of the operator (eg. when using a remote control or wall switch positioned away from the roller shutter and out of view). When using a wall switch, we recommend a spring return switch/deadman switch.





Made To Measure Roller Shutters

Pelmet Sizes & Maximum Shutter Height

Standard Slat Locks

| Pelmet Box Size | Max. No. Of Slats | Max. Shutter Height | Axle Size |
|-----------------|-------------------|---------------------|--------------------|
| 180mm | 50 | 1800mm | 60mm |
| 205mm | 56 | 2020mm | 70mm |
| 230mm | 72 | 2600mm | 70mm |
| 250mm | 90 | 3250mm | 70mm |
| 250mm | 85 | 3050mm | 101mm with adaptor |
| 250mm | 72 | 2590mm | 130mm with adaptor |

Winged Slat Locks

| | | | |
|-------|----|--------|--------------------|
| 180mm | 38 | 1350mm | 60mm |
| 205mm | 46 | 1650mm | 70mm |
| 230mm | 62 | 2300mm | 70mm |
| 250mm | 72 | 2600mm | 70mm |
| 250mm | 78 | 2800mm | 101mm with adaptor |
| 250mm | 65 | 2350mm | 130mm with adaptor |

Roller Shutter Colour Options

| Profiles | Pelmets/Side Frames/ Guides/Bottom Bars |
|-----------------|--|
| Cream | Cream |
| Magnolia Cream | Magnolia Cream |
| Clear Beige | Clear Beige |
| White | White |
| Black | Black |
| Anodised Silver | Woodland Grey |
| Woodland Grey | Powder coated options available (additional charges apply) |

Control Options

Manual Options Motorised Options



Steel Cable Winder
(Up To 50Kg)



Spring Loaded
With Key Lock



Remote Control
With SolarSmart™
Automation
12V Motor
(Up To 50Kg)



PowerSmart™
Control System
With 12V Motor
(Up To 50Kg)*



Wall Switch
With 240V
Electric Motor



Remote Control
With 240V
Electric SIMU Hz
Motor

Motorised Options (continued)



Key Switch
With 240V
Electric Motor



Crank Handle
With 240V
Electric Manual
Override Motor



S-05 Remote Control
(Key Ring Transmitter)
With 240V
Electric Motor
& Multi-Function
S-05 Radio Receiver
& Control Unit

Casey Screens & Shutters
03 8790 1462

* When used in conjunction with an assist spring as per CW Products specifications.

To place an order please complete the CW Products Made To Measure Roller Shutter Order Form available from your CW Products representative.